

ROTARY DRIVE FEEDTHROUGHS

ELECTRICAL FEEDTHROUGHS

**QUICK CONNECT
FEEDTHROUGHS**

BLANK PLUG FEEDTHROUGHS

**LIQUID OR GAS
FEEDTHROUGHS**

**LIQUID NITROGEN
FEEDTHROUGHS**

SENSOR FEEDTHROUGHS

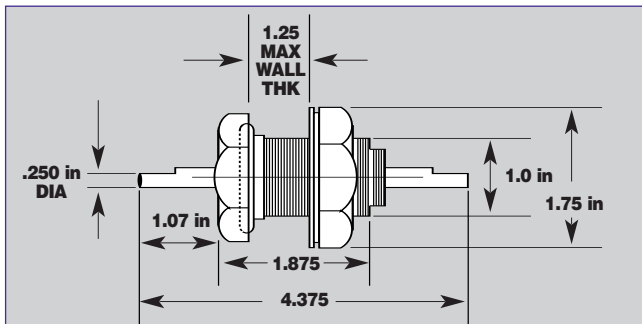
VACUUM FEEDTHROUGHS

DIRECT DRIVE ROTARY MOTION FEEDTHROUGH

This feedthrough has several revolutionary features which have received tremendous response from the vacuum industry. The 1/4" shaft is supported by two ball bearings for smooth, friction-free operation usually found only in feedthroughs costing hundreds of dollars more. The 3/8" and 1/2" feedthroughs utilize bronze bearings to support the shaft. The shaft is sealed by a preloaded viton "O" ring - virtually fool proof! Over or under torquing is impossible. No spring to wear out or worry about. The most amazing feature, however, is that the "O" ring may be regreased or serviced by

removing and replacing all components from the atmosphere side of the feedthrough in about 10 seconds without the use of any tools!

This feedthrough is designed for manual or mechanical operation of intermittent speeds up to 500 RPM. This feedthrough is available in aluminum or stainless steel. The unit is designed to fit standard 1" diameter through-hole mounting for wall thickness up to 1".

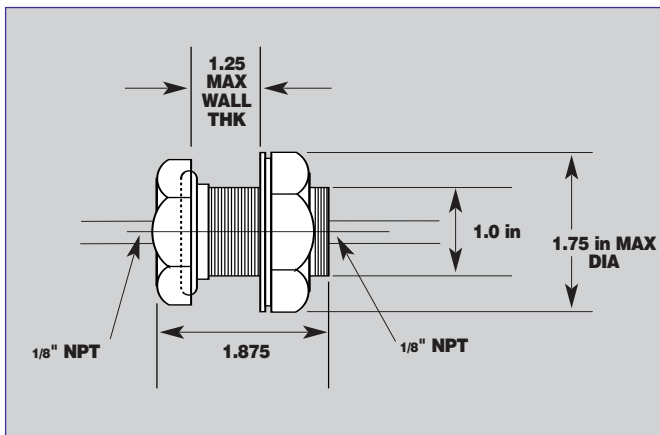


PART NUMBER	DESCRIPTION	UNIT PRICE
125-FTR	1/4" Shaft (Aluminum)	Call
125-FTR-S	1/4" Shaft (304 Stainless Steel)	Call
138-FTR	3/8" Shaft (Aluminum)	Call
138-FTR-S	3/8" Shaft (304 Stainless Steel)	Call
150-FTR	1/2" Shaft (Aluminum)	Call
150-FTR-S	1/2" Shaft (304 Stainless Steel)	Call



125-FTR SPARE PARTS		
PART NUMBER	DESCRIPTION	UNIT PRICE
125-BK	Replacement Bearings & O-Rings	Call
FTAN	Aluminum Nut	Call
FTAW	Aluminum Washer	Call
FTSN	Stainless Steel Nut	Call
FTSW	Stainless Steel Washer	Call
125-KC	Knurled Cap	Call

FEEDTHROUGH FOR GAS BACKFILL OR THERMOCOUPLE GAUGE



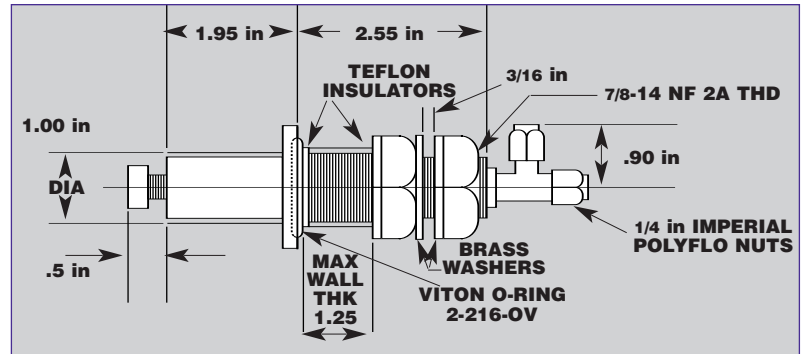
This unit is constructed of aluminum or stainless steel and is designed for applications requiring the use of a thermocouple gauge or for gas backfilling into the systems. This unit is designed with 1/8" NPT on each end to accept gauges or tubing and will fit into a standard 1" diameter mounting hole.

PART NUMBER	DESCRIPTION	UNIT PRICE
1125-FTG	Aluminum	Call
1125-FTG-S	Stainless Steel	Call

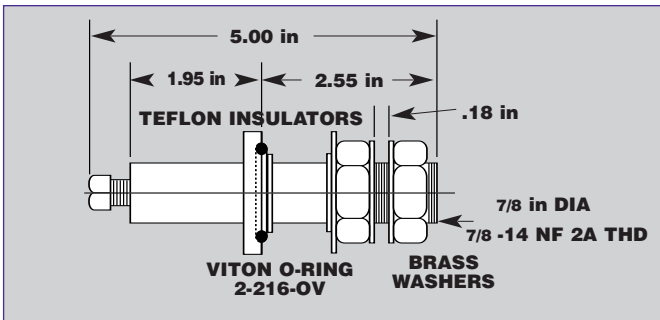
VACUUM FEEDTHROUGHS

1000 AMP. HI-CURRENT WATERCOOLED FEEDTHROUGH

This feedthrough is used to transfer low voltage(50 volts, max.), high current electrical power into a vacuum atmosphere. Our feedthrough features one-piece construction eliminating any possible leakage through welded joints. This unit is constructed of oxygen-free copper and brass. Insulators are teflon for strength and durability. Waterline connectors are designed to accept 1/4" I.D. poly flow tubing. This unit will mount into standard 1" diameter hole.



PART NUMBER	UNIT PRICE	
1000-FTV	Call	
SPARE PARTS LIST		
PART NUMBER	DESCRIPTION	PRICE
FTV-RK	Repair Kit, contains large & small teflon insulator, O-ring	Call
FTV-T	Replacement Imperial Tee	Call



400 AMP. HI-CURRENT FEEDTHROUGH

PART NUMBER	UNIT PRICE
400-FTV	Call

Same features as above but non-water cooled. Refer to spare parts list above (FTV-RK).

INSTRUMENTATION MULTI-PIN LOW VOLTAGE FEEDTHROUGH



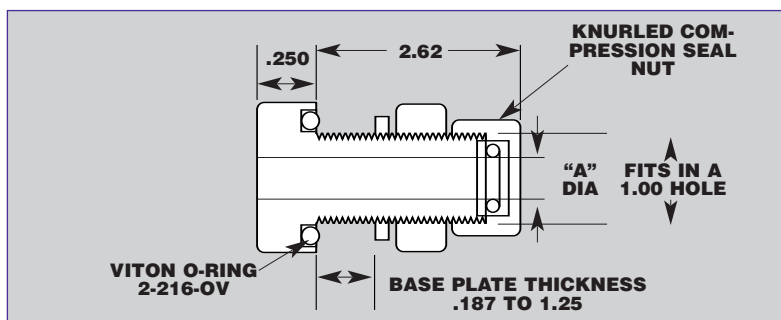
This standard 1" Baseplate Multi-Pin Feedthrough has 1 through 11 pin usage AC or DC Voltage.

PART NUMBER	UNIT PRICE
LVMP-11	Call

VACUUM FEEDTHROUGHS

TUBING QUICK CONNECT FEEDTHROUGH

These feedthrough are designed to accept tubulations having outside diameters of 1/8", 1/4", 3/8", 1/2", 5/8" and 3/4". They are especially useful for gauge-tube applications or whenever any quick connection is needed leading into a vacuum system. The "O"ring provides a positive seal against tubulation yet is quickly released. All units are designed to mount into 1" baseplates or feedthrough rings with a maximum wall thickness of 1".



PART NUMBER	"A" DIAMETER	ALUMINUM PRICE	MODEL NUMBER	"A" DIAMETER	STAINLESS STEEL PRICE
12-FTQC	1/8"	Call	12-FTQC-S	1/8"	Call
25-FTQC	1/4"	Call	25-FTQC-S	1/4"	Call
38-FTQC	3/8"	Call	38-FTQC-S	3/8"	Call
50-FTQC	1/2"	Call	50-FTQC-S	1/2"	Call
62-FTQC	5/8"	Call	62-FTQC-S	5/8"	Call
75-FTQC	3/4"	Call	75-FTQC-S	3/4"	Call

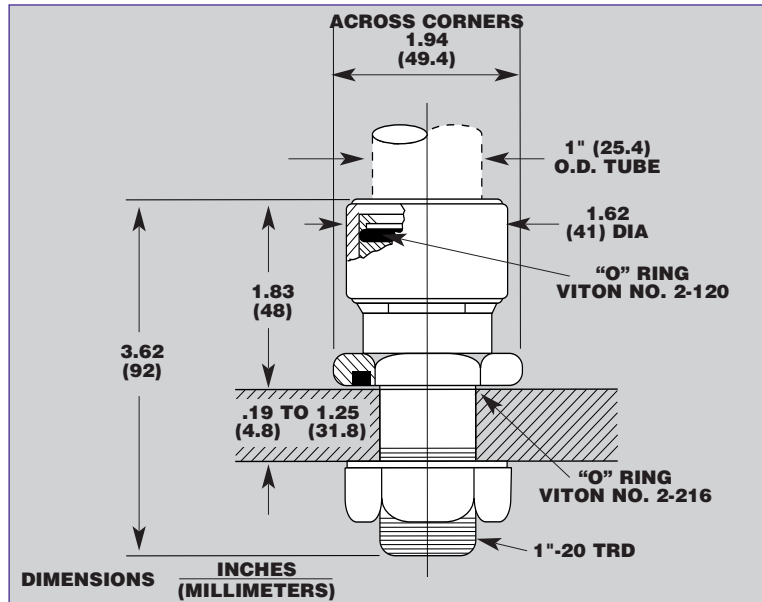
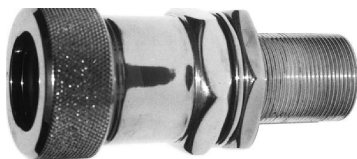
IONIZATION GAUGE TUBE QUICK CONNECT FEEDTHROUGH

The #100 FTQC enables mounting of ionization gauges or other tubulations with 1" or 3/4" diameters into baseplates or feedthrough rings with 1" or 3/4" holes. .

PART NUMBER	ALUMINUM PRICE
100-FTQC	Call

PART NUMBER	STAINLESS STEEL PRICE
100-FTQC-S	Call

QF CONFIGURATION ALSO AVAILABLE. SEE PAGE 58.



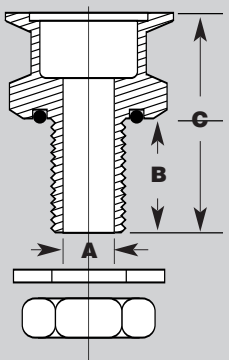
VACUUM ADAPTERS

1" VACUUM COUPLING TO 2 3/4" CF FLANGE

PART NUMBER	UNIT PRICE
275xQ100	Call



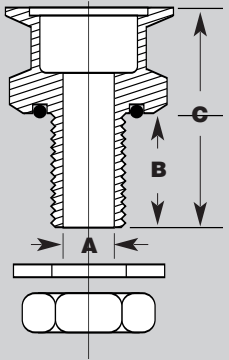
VACUUM FEEDTHROUGHS



- 304 Stainless steel
- Fits std. 1" dia. hole
- Suitable for plates up to 1" thickness
- Feedthrough complete with stainless washer, nut and viton O-ring (2-216)

QF TO 1" BASEPLATE FEEDTHROUGH

PART NUMBER	A	B	C	UNIT PRICE
QF25-100-FT	.75	1.62	2.88	Call
QF40-150-FT	.75	1.62	3.12	Call



- 304 Stainless steel
- Fits std. 1" dia. hole
- Suitable for plates up to 1" thickness
- Feedthrough complete with stainless washer, nut and viton O-ring (2-216)
- Available with other CF configurations

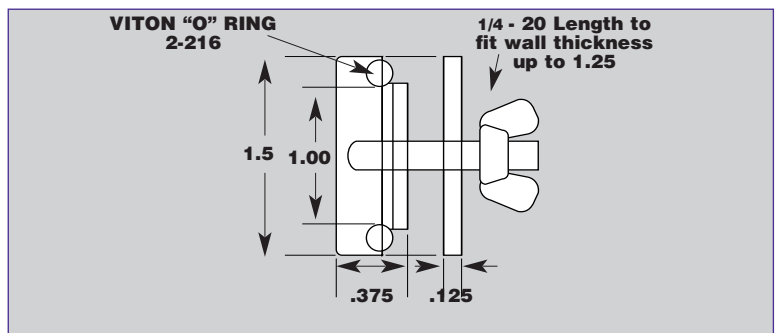
CF TO 1" BASEPLATE FEEDTHROUGH

PART NUMBER	A	B	C	UNIT PRICE
275 x 100-FT	.75	1.62	2.88	Call
275 x 150-FT	.75	1.62	2.88	Call

BLANK PLUG FEEDTHROUGH



Effectively seals mounting holes in vacuum chambers when not in use. Blank-offs can be ordered to fit into any size diameter hole, any wall thickness and in various material.



PART NUMBER		UNIT PRICE
100-FTB-A	Aluminum 1" Hole	Call

BRASS

STAINLESS STEEL

MODEL	DESCRIPTION	PRICE	MODEL	DESCRIPTION	PRICE
075-FTB-B	3/4" HOLE	Call	075-FTB-S	3/4" HOLE	Call
100-FTB-B	1" HOLE	Call	100-FTB-S	1" HOLE	Call
125-FTB-B	1 1/4" HOLE	Call	125-FTB-S	1 1/4" HOLE	Call
150-FTB-B	1 1/2" HOLE	Call	150-FTB-S	1 1/2" HOLE	Call
175-FTB-B	1 3/4" HOLE	Call	175-FTB-S	1 3/4" HOLE	Call

LARGER SIZES AVAILABLE

VACUUM FEEDTHROUGHS

LIQUID OR GAS FEEDTHROUGHS



1" Baseplate shown
QF40 - QF25 - 2 3/4" & 1.33 Also Available

Prices Listed are Tube end termination.
If VCR Male or Female, VCO Male or Female or Swagelok
Terminations are required indicate when ordering

\$25.00 Per Fitting

SINGLE PASS 1/8" TUBING

FLANGE	DESCRIPTION	UNIT PRICE
1" Baseplate	LGSP-125-1B	Call
QF40	LGSP-125-QF40	Call
QF25	LGSP-125-QF25	Call
2 3/4 Conflat	LGSP-125-275-CF	Call
1.33 Conflat	LGSP-125-133-CF	Call

SINGLE PASS 1/4" TUBING

FLANGE	DESCRIPTION	UNIT PRICE
1" Baseplate	LGSP-250-1B	Call
QF40	LGSP-250-QF40	Call
QF25	LGSP-250-QF25	Call
2 3/4 Conflat	LGSP-250-275-CF	Call
1.33 Conflat	LGSP-250-133-CF	Call

SINGLE PASS 3/8" TUBING

FLANGE	DESCRIPTION	UNIT PRICE
1" Baseplate	LGSP-375-1B	Call
QF40	LGSP-375-QF40	Call
QF25	LGSP-375-QF25	Call
2 3/4 Conflat	LGSP-375-275-CF	Call
1.33 Conflat	LGSP-375-133-CF	Call

DOUBLE PASS 1/8" TUBING

FLANGE	DESCRIPTION	UNIT PRICE
1" Baseplate	LGDP-125-1B	Call
QF40	LGDP-125-QF40	Call
QF25	LGDP-125-QF25	Call
2 3/4 Conflat	LGDP-125-275-CF	Call
1.33 Conflat	LGDP-125-133-CF	Call

DOUBLE PASS 1/4" TUBING

FLANGE	DESCRIPTION	UNIT PRICE
1" Baseplate	LGDP-250-1B	Call
QF40	LGDP-250-QF40	Call
QF25	LGDP-250-QF25	Call
2 3/4 Conflat	LGDP-250-275-CF	Call
1.33 Conflat	LGDP-250-133-CF	Call

DOUBLE PASS 3/8" TUBING

FLANGE	DESCRIPTION	UNIT PRICE
1" Baseplate	LGDP-375-1B	Call
QF40	LGDP-375-QF40	Call
2 3/4 Conflat	LGDP-375-275-CF	Call

VACUUM FEEDTHROUGHS

LIQUID NITROGEN FEEDTHROUGHS



1" Baseplate shown
QF40 - QF25 - 2 3/4" & 1.33 Also Available

Prices Listed are Tube end termination.
If VCR Male or Female ,VCO Male or Female or Swagelok
Terminations are required indicate when ordering

\$25.00 Per Fitting

SINGLE PASS 1/8" TUBING		
FLANGE	DESCRIPTION	UNIT PRICE
1" Baseplate	NLSP-25-1B	Call
QF40	NLSP-25-QF40	Call
QF25	NLSP-25-QF25	Call
2 3/4 Conflat	NLSP-25-275-CF	Call
1.33 Conflat	NLSP-25-133-CF	Call

SINGLE PASS 3/8" TUBING		
FLANGE	DESCRIPTION	UNIT PRICE
1" Baseplate	NLSP-375-1B	Call
QF40	NLSP-375-QF40	Call
QF25	NLSP-375-QF25	Call
2 3/4 Conflat	NLSP-375-275-CF	Call
1.33 Conflat	NLSP-375-133-CF	Call

DOUBLE PASS 1/4" TUBING		
FLANGE	DESCRIPTION	UNIT PRICE
1" Baseplate	LNDP-25-1B	Call
QF40	LNDP-25-QF40	Call
2 3/4 Conflat	LNDP-25-275-CF	Call

DOUBLE PASS 3/8" TUBING		
FLANGE	DESCRIPTION	UNIT PRICE
1" Baseplate	LNDP-375-1B	Call
QF40	LNDP-375-QF40	Call
2 3/4 Conflat	LNDP-375-275-CF	Call

VACUUM FEEDTHROUGHS

SENSOR FEEDTHROUGHS

Sensor Feedthroughs offer a wide variety of 304 stainless steel feedthroughs (bakeable or unbakeable) with water cooling coils or tubing.

The Sensor Head can be either a right angle or parallel for ease of placement in the baseplate hole or side mounting. Feedthroughs can be conflat, ASA, or Bolt Hole mounted. Sensor Feedthrough Kits include oscillator, cables, and a carousel of crystals. Dual Sensor Heads include a pneumatic shutter valve.



Compatible or Direct Replacement for the following OEM controllers:

- Maxtek
- Sycon
- Inficon
- Temeseal

MODEL #	DESCRIPTION	UNIT PRICE
123150-xx	Bakeable Single Sensor CF Feedthrough	Call
150201	Non-bakeable Single Sensor Bolt Feedthrough w/water cooled tube	Call
150210-xx	Non-bakeable SH-101/102 Sensor Head IF-111/IF-276 Feedthrough	Call
150140-xx	ASF-140/141/adjustable non-bakeable 1" Bolt Feedthrough	Call
150101-xx	Non-bakeable Dual Sensor 2/Shutter 1" Bolt Feedthrough	Call
150102-xx	Bakeable BDS-250/251 dual Sensor w/shutter rotatable CF Feedthrough	Call

QUARTZ CRYSTALS



Company	Size	Frequency	Material	Price
Balzers Inficon Intellectrics Maxtek Satis Temescal Veeco	.550	5MHz or 6MHz	Gold, Silver, or Aluminum Alloy	Call
Sloan Ulvac	.490	5MHz or 6MHz	Gold, Silver or Aluminum Alloy	Call

Packaged 10 Crystals per carousel

WHEN ORDERING LIST SIZE, FREQUENCY AND MATERIAL