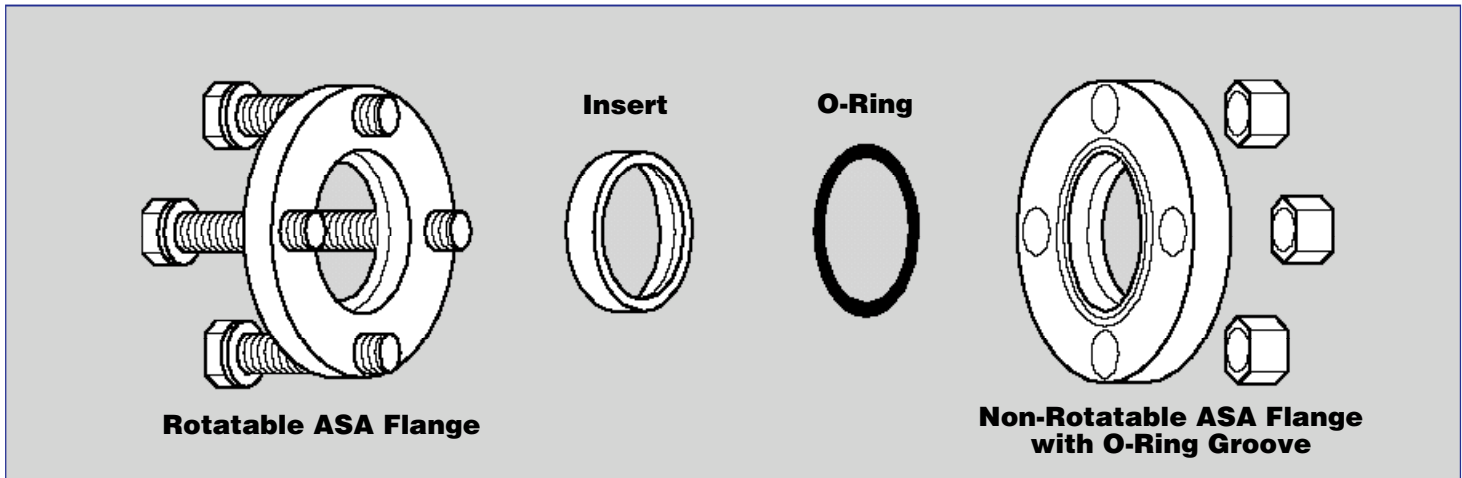
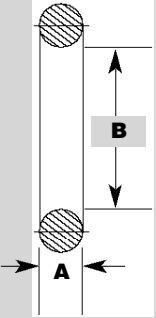


ASA FLANGES



ISA Vacuum Products carries a complete line of standard 150 lb. ASA flanges and fittings. These high quality flanges are CNC machined from 304 Stainless Steel to a 32 Micro-Inch finish or better. They are designed for use in applications ranging from modest positive pressure to 10⁻⁸ torr. A Viton-A® O-ring limits the baking temperature to 200°C. They will mate to any standard ASA 150 lb. flange and are available in both rotatable and non-rotatable versions as blanks, or bored to accommodate standard tubing from 1" to 12". However, we have the facilities to bore these flanges to any special configuration desired.



- Replaceable seal for ASA flanges
- Viton
- Standard inch "O"-ring sizes
- 200°C max.

VITON-A® O-RING FOR ASA FLANGES

PART NUMBER	STD #	A	B	UNIT PRICE
100ASA-OV	2-225	.120	1.875	Call
150ASA-OV	2-230	.120	2.500	Call
200ASA-OV	2-238	.120	3.500	Call
300ASA-OV	2-247	.120	4.625	Call
400ASA-OV	2-258	.120	6.000	Call
600ASA-OV	2-266	.120	8.000	Call
800ASA-OV	2-274	.120	10.000	Call
1000ASA-OV	2-278	.120	12.000	Call

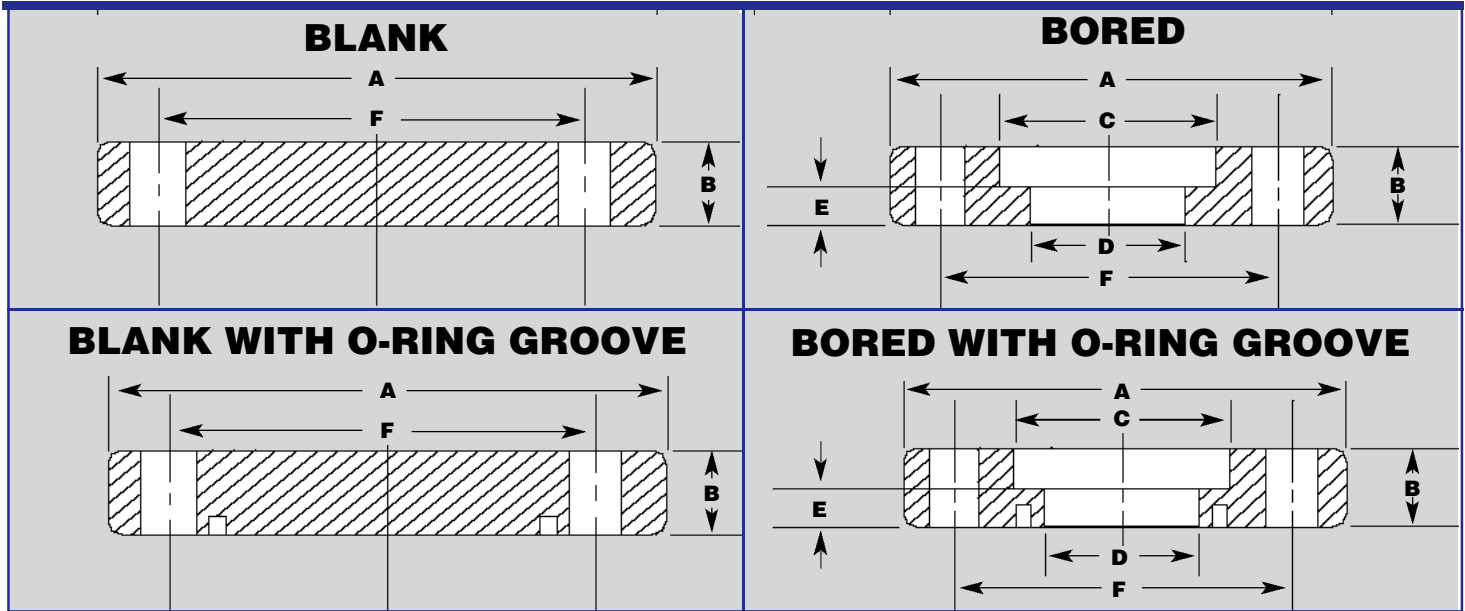


- Stainless steel nuts, bolts & washers

BOLT KITS FOR ASA FLANGES

PART NUMBER	QUANTITY	BOLT SIZE	UNIT PRICE
100ASA-BK	4	9/16-12 x 1.5	Call
150ASA-BK	4	9/16-12 x 1.5	Call
200ASA-BK	4	5/8-11 x 1.5	Call
300ASA-BK	4	5/8-11 x 1.5	Call
400ASA-BK	8	5/8-11 x 1.5	Call
600ASA-BK	8	3/4-10 x 2.25	Call
800ASA-BK	8	3/4-10 x 2.25	Call
1000ASA-BK	12	3/4-10 x 2.25	Call

ASA FLANGES



ASA FLANGES-NON-ROTATABLE AND ROTATABLE

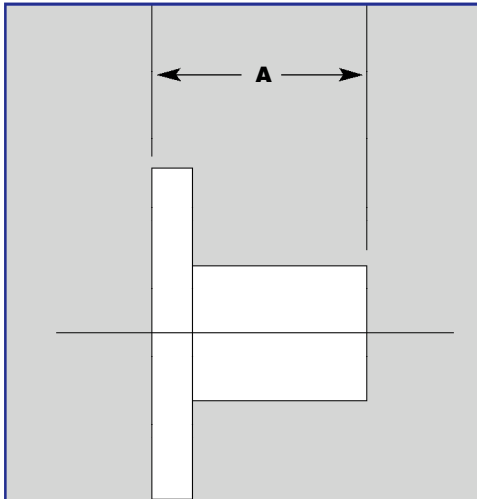
PART NUMBER	A OD	B THICKNESS	C BORE	D THRU HOLE	E SETBACK	F BOLT CIRCLE	BOLT HOLE NO.	BOLT HOLE SIZE	Non-Rotatable PRICE	Rotatable PRICE	O-RING GROOVE
100ASA-000	4.25	.500	BLANK	-	-	3.125	4	.625	Call	Call	Call
100ASA-100	4.25	.500	1.010	.875	.250	3.125	4	.625	Call	Call	Call
100ASA-150	4.25	.500	1.510	1.375	.250	3.125	4	.625	Call	Call	Call
150ASA-000	5.00	.500	BLANK	-	-	3.880	4	.625	Call	Call	Call
150ASA-150	5.00	.500	1.510	1.375	.250	3.880	4	.625	Call	Call	Call
150ASA-200	5.00	.500	2.010	1.875	.250	3.880	4	.625	Call	Call	Call
150ASA-250	5.00	.500	2.510	2.375	.250	3.880	4	.625	Call	Call	Call
200ASA-000	6.00	.500	BLANK	-	-	4.750	4	.750	Call	Call	Call
200ASA-200	6.00	.500	2.010	1.875	.250	4.750	4	.750	Call	Call	Call
200ASA-250	6.00	.500	2.510	2.375	.250	4.750	4	.750	Call	Call	Call
200ASA-300	6.00	.500	3.010	2.938	.250	4.750	4	.750	Call	Call	Call
200ASA-350	6.00	.500	3.510	3.438	.250	4.750	4	.750	Call	Call	Call
300ASA-000	7.50	.500	BLANK	-	-	6.000	4	.750	Call	Call	Call
300ASA-300	7.50	.500	3.010	2.938	.250	6.000	4	.750	Call	Call	Call
300ASA-350	7.50	.500	3.510	3.438	.250	6.000	4	.750	Call	Call	Call
300ASA-400	7.50	.500	4.010	3.910	.250	6.000	4	.750	Call	Call	Call
400ASA-000	9.00	.500	BLANK	-	-	7.500	8	.750	Call	Call	Call
400ASA-400	9.00	.500	4.010	3.910	.250	7.500	8	.750	Call	Call	Call
400ASA-600	9.00	.500	6.020	5.875	.250	7.500	8	.750	Call	Call	Call
600ASA-000	11.00	.750	BLANK	-	-	9.500	8	.812	Call	Call	Call
600ASA-600	11.00	.750	6.020	5.875	.375	9.500	8	.812	Call	Call	Call
600ASA-800	11.00	.750	8.020	7.875	.375	9.500	8	.812	Call	Call	Call
800ASA-000	13.50	.750	BLANK	-	-	11.750	8	.812	Call	Call	Call
800ASA-800	13.50	.750	8.020	7.875	.375	11.750	8	.812	Call	Call	Call
800ASA-1000	13.50	.750	10.020	9.875	.375	11.750	8	.812	Call	Call	Call
1000ASA-000	16.00	.750	BLANK	-	-	14.250	12	.812	Call	Call	Call
1000ASA-1000	16.00	.750	10.020	9.875	.375	14.250	12	.812	Call	Call	Call
1000ASA-1200	16.00	.750	12.020	11.875	.375	14.250	12	.812	Call	Call	Call

Add and R to Part No. for Rotatable Flange

*** Larger sizes and special fabrications available on quote.**

To add an O-ring groove to the flange, add a "G" to the end of the part number.

ASA FLANGES



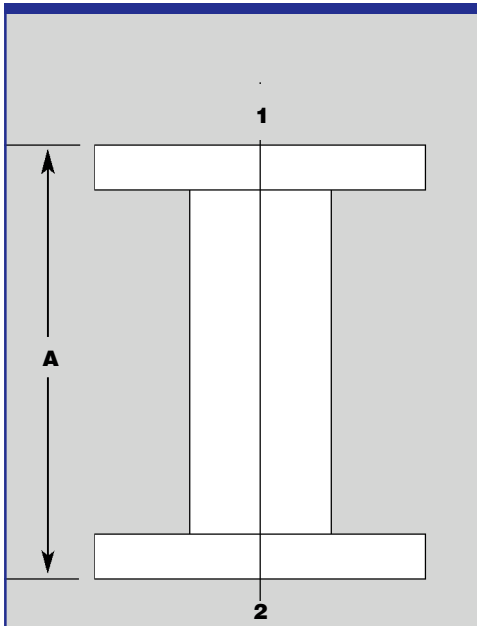
■ Note: Add “-G” to part number for grooving

■ Other lengths available on request

■ Note: Add “R” to part number for rotatable flanges

ASA HALF NIPPLES-NON-ROTATABLE & ROTATABLE

PART NUMBER	FLANGE OD	TUBE OD	A	NON-ROTATABLE PRICE	ROTATABLE PRICE	O-RING GROOVE
100ASA-100-LF	4.25	1.00	3.25	Call	Call	Call
100ASA-150-LF	4.25	1.50	3.25	Call	Call	Call
150ASA-150-LF	5.00	1.50	3.25	Call	Call	Call
150ASA-200-LF	5.00	2.00	3.25	Call	Call	Call
150ASA-250-LF	5.00	2.50	3.25	Call	Call	Call
200ASA-200-LF	6.00	2.00	3.50	Call	Call	Call
200ASA-250-LF	6.00	2.50	3.50	Call	Call	Call
200ASA-300-LF	6.00	3.00	3.50	Call	Call	Call
300ASA-300-LF	7.50	3.00	4.13	Call	Call	Call
300ASA-400-LF	7.50	4.00	4.13	Call	Call	Call
400ASA-400-LF	9.00	4.00	4.13	Call	Call	Call
400ASA-600-LF	9.00	6.00	5.25	Call	Call	Call
600ASA-600-LF	11.00	6.00	5.38	Call	Call	Call
600ASA-800-LF	11.00	8.00	7.38	Call	Call	Call
800ASA-800-LF	13.50	8.00	7.75	Call	Call	Call
800ASA-1000-LF	13.50	10.00	9.88	Call	Call	Call
1000ASA-1000-LF	16.00	10.00	9.88	Call	Call	Call
1000ASA-1200-LF	16.00	12.00	9.88	Call	Call	Call



■ Note: To indicate desired grooves, add “-G1” (groove one flange), or “-G2” (groove both flanges) to part number

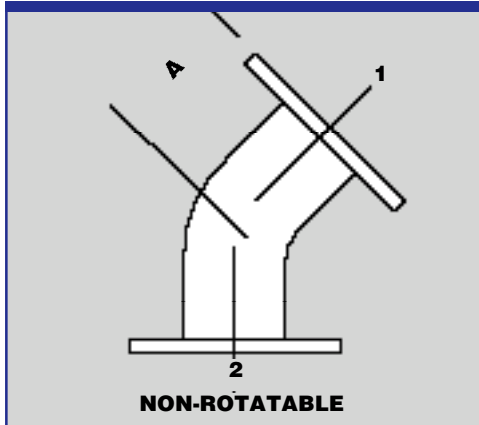
■ Other lengths available on request

■ Note: Add “R” to part number for rotatable flanges

ASA FULL NIPPLES - NON-ROTATABLE & ROTATABLE

PART NUMBER	FLANGE OD	TUBE OD	A	NON-ROTATABLE PRICE	ROTATABLE PRICE	O-RING GROOVE
100ASA-100-NS	4.25	1.00	6.50	Call	Call	Call
100ASA-150-NS	4.25	1.50	6.50	Call	Call	Call
100ASA-150-NL	4.25	1.50	8.00	Call	Call	Call
150ASA-150-NS	5.00	1.50	6.50	Call	Call	Call
150ASA-200-NS	5.00	2.00	6.50	Call	Call	Call
150ASA-250-NS	5.00	2.50	6.50	Call	Call	Call
150ASA-250-NL	5.00	2.50	8.00	Call	Call	Call
200ASA-200-NS	6.00	2.00	7.00	Call	Call	Call
200ASA-250-NS	6.00	2.50	7.00	Call	Call	Call
200ASA-300-NS	6.00	3.00	7.00	Call	Call	Call
200ASA-300-NL	6.00	3.00	8.50	Call	Call	Call
300ASA-300-NS	7.50	3.00	8.26	Call	Call	Call
300ASA-300-NL	7.50	3.00	9.75	Call	Call	Call
300ASA-400-NS	7.50	4.00	8.26	Call	Call	Call
300ASA-400-NL	7.50	4.00	10.24	Call	Call	Call
400ASA-400-NS	9.00	4.00	8.26	Call	Call	Call
400ASA-400-NL	9.00	4.00	10.24	Call	Call	Call
400ASA-600-NS	9.00	6.00	10.50	Call	Call	Call
400ASA-600-NL	9.00	6.00	12.62	Call	Call	Call
600ASA-600-NS	11.00	6.00	10.76	Call	Call	Call
600ASA-600-NL	11.00	6.00	12.88	Call	Call	Call
600ASA-800-NS	11.00	8.00	10.76	Call	Call	Call
600ASA-800-NL	11.00	8.00	14.76	Call	Call	Call
800ASA-800-NL	13.50	8.00	15.50	Call	Call	Call
800ASA-1000-NL	13.50	10.00	19.76	Call	Call	Call
1000ASA-1000-NL	16.00	10.00	19.76	Call	Call	Call
1000ASA-1200-NL	16.00	12.00	19.76	Call	Call	Call

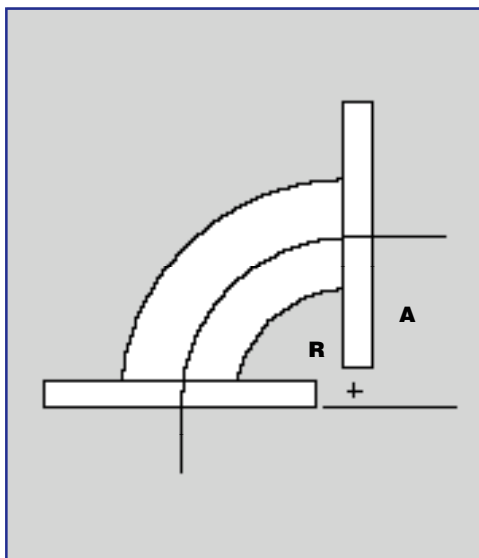
ELBOWS



- Note: To indicate desired grooves, add "-G1" (groove one flange), or "-G2" (groove both flanges) to part number
- Note: Add "R" to part number for rotatable flanges
- Other flange combinations available

ASA 45° RADIUS ELBOWS ROTATABLE & NON-ROTATABLE

PART NUMBER	FLANGE OD	TUBE OD	A	NON ROTATABLE PRICE	ROTATABLE PRICE	O-RING GROOVE
100ASA-100-E45	4.25	1.00	2.092	Call	Call	Call
100ASA-150-E45	4.25	1.50	2.092	Call	Call	Call
150ASA-200-E45	5.00	2.00	2.092	Call	Call	Call
200ASA-300-E45	6.00	3.00	3.933	Call	Call	Call
300ASA-400-E45	7.50	4.00	5.027	Call	Call	Call
400ASA-400-E45	9.00	4.00	5.027	Call	Call	Call

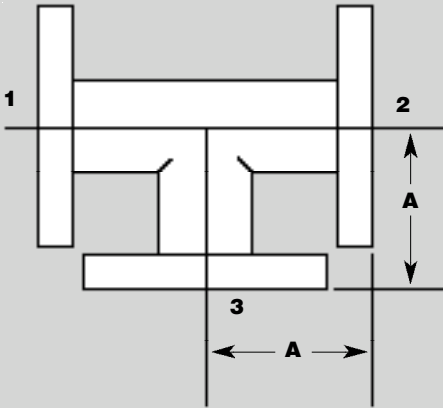


- Note: To indicate desired grooves, add "-G1" (groove one flange), or "-G2" (groove both flanges) to part number
- Note: Add "R" to part number for rotatable flanges

ASA 90° RADIUS ELBOWS ROTATABLE & NON-ROTATABLE

PART NUMBER	FLANGE OD	TUBE OD	A	NON ROTATABLE PRICE	ROTATABLE PRICE	O-RING GROOVE
100ASA-100-E90	4.25	1.00	2.05	Call	Call	Call
100ASA-150-E90	4.25	1.50	2.64	Call	Call	Call
150ASA-200-E90	5.00	2.00	3.25	Call	Call	Call
200ASA-300-E90	6.00	3.00	4.75	Call	Call	Call
300ASA-400-E90	7.50	4.00	6.25	Call	Call	Call
400ASA-400-E90	9.00	4.00	6.25	Call	Call	Call
400ASA-600-E90	9.00	6.00	9.25	Call	Call	Call
600ASA-600-E90	11.00	6.00	9.37	Call	Call	Call
600ASA-800-E90	11.00	8.00	12.37	Call	Call	Call
800ASA-800-E90	13.50	8.00	12.37	Call	Call	Call
800ASA-1000-E90	13.50	10.00	15.37	Call	Call	Call
1000ASA-1000-E90	16.00	10.00	15.37	Call	Call	Call

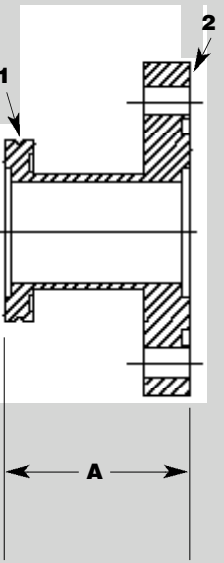
TEES



- Note: Identify flange(s) to be grooved when ordering (G-1, G-2, G-1/2, etc.)
- Reducing tees available
- Note: Add "R" to part number for rotatable flanges

**ASA TEES - ALL FLANGES
ROTATABLE & NON-ROTATABLE**

PART NUMBER	FLANGE OD	TUBE OD	A	NON ROTATABLE	ROTATABLE	O-RING GROOVE
				PRICE	PRICE	
100ASA-100-T	4.25	1.00	2.13	Call	Call	Call
100ASA-150-T	4.25	1.50	2.50	Call	Call	Call
150ASA-150-T	5.00	1.50	2.50	Call	Call	Call
150ASA-200-T	5.00	2.00	2.50	Call	Call	Call
150ASA-250-T	5.00	2.50	2.50	Call	Call	Call
200ASA-200-T	6.00	2.00	2.50	Call	Call	Call
200ASA-250-T	6.00	2.50	2.50	Call	Call	Call
200ASA-300-T	6.00	3.00	3.50	Call	Call	Call
300ASA-300-T	7.50	3.00	3.50	Call	Call	Call
300ASA-400-T	7.50	4.00	5.12	Call	Call	Call
400ASA-400-T	9.00	4.00	5.12	Call	Call	Call
400ASA-600-T	9.00	6.00	5.25	Call	Call	Call
600ASA-600-T	11.00	6.00	5.38	Call	Call	Call
600ASA-800-T	11.00	8.00	7.38	Call	Call	Call
800ASA-800-T	13.50	8.00	7.38	Call	Call	Call
800ASA-1000-T	13.50	10.00	9.88	Call	Call	Call
1000ASA-1000-T	16.00	10.00	9.88	Call	Call	Call

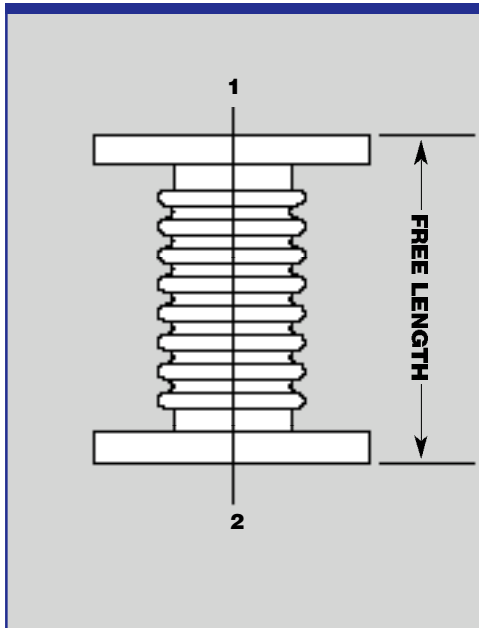


- Add "-G" to part # if an O-Ring groove is needed
- Other combinations available

**LF to ASA FLANGE
ADAPTOR NIPPLES**

PART NUMBER	FLANGE STYLE			TUBE OD	PRICE	O-RING GROOVE
	1	2	A			
LF63x100ASA	LF63	100ASA	4.19	1.50	Call	Call
LF63x150ASA	LF63	150ASA	4.19	2.50	Call	Call
LF63x200ASA	LF63	200ASA	4.19	2.50	Call	Call
LF80x100ASA	LF80	100ASA	4.19	1.50	Call	Call
LF80x150ASA	LF80	150ASA	4.19	2.50	Call	Call
LF80x200ASA	LF80	200ASA	4.19	3.00	Call	Call
LF100x300ASA	LF100	300ASA	4.19	4.00	Call	Call
LF100x400ASA	LF100	400ASA	4.19	4.00	Call	Call
LF160x300ASA	LF160	300ASA	4.19	4.00	Call	Call
LF160x400ASA	LF160	400ASA	4.19	6.00	Call	Call
LF160x600ASA	LF160	600ASA	4.32	6.00	Call	Call
LF200x300ASA	LF200	300ASA	4.19	4.00	Call	Call
LF200x400ASA	LF200	400ASA	4.19	6.00	Call	Call
LF200x600ASA	LF200	600ASA	4.32	8.00	Call	Call

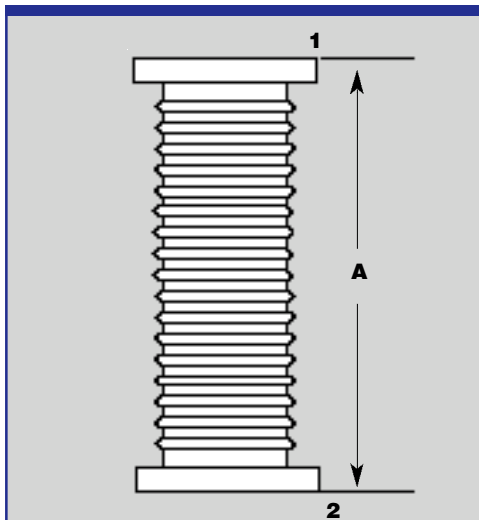
BELLOWS



- Note: To indicate desired grooves, add "-G1" (groove one flange), or "-G2" (groove both flanges) to part number
- Other flange combinations available
- Note: Add "R" to part number for rotatable flanges

ASA BELLOWS ROTATABLE & NON-ROTATABLE

PART NUMBER	FLANGE OD	BELLOWS ID	LENGTH FREE	LENGTH COMP.	NON ROTATABLE PRICE	ROTATABLE PRICE	O-RING GROOVE
100ASA-100-F	4.25	1.00	6.00	5.25	Call	Call	Call
100ASA-150-F	4.25	1.50	6.00	5.25	call	Call	Call
150ASA-200-F	5.00	2.00	6.00	5.25	Call	Call	Call
150ASA-250-F	5.00	2.50	6.00	5.25	Call	Call	Call
200ASA-300-F	6.00	3.00	7.00	6.00	Call	Call	Call
300ASA-400-F	7.50	4.00	7.00	6.00	Call	Call	Call
400ASA-400-F	9.00	4.00	7.00	6.00	Call	Call	Call
400ASA-600-F	9.00	6.00	7.00	6.00	Call	Call	Call
600ASA-600-F	11.00	6.00	7.00	6.00	Call	Call	Call
600ASA-800-F	11.00	8.00	7.00	6.00	Call	Call	Call
800ASA-800-F	13.50	8.00	7.00	6.00	Call	Call	Call
800ASA-1000-F	13.50	10.00	14.00	11.00	Call	Call	Call
1000ASA-1000-F	16.00	10.00	14.00	11.00	Call	Call	Call
1000ASA-1200-F	16.00	12.00	16.00	13.00	Call	Call	Call



- Note: To indicate desired grooves, add "-G1" (groove one flange), or "-G2" (groove both flanges) to part number
- .008 Wall
- Other flange combinations available
- Braided hose available-on quote
- Note: Add "R" to part number for rotatable flanges

ASA to METAL HOSE ROTATABLE & NON-ROTATABLE

PART NUMBER	FLANGE OD	HOSE NOM. OD	A	NON ROTATABLE PRICE	ROTATABLE PRICE	O-RING GROOVE
100ASA-MH-12	4.25	1.50	12.00	Call	Call	Call
100ASA-MH-18	4.25	1.50	18.00	Call	Call	Call
100ASA-MH-24	4.25	1.50	24.00	Call	Call	Call
100ASA-MH-36	4.25	1.50	36.00	Call	Call	Call
150ASA-MH-12	5.00	2.00	12.00	Call	Call	Call
150ASA-MH-18	5.00	2.00	18.00	Call	Call	Call
150ASA-MH-24	5.00	2.00	24.00	Call	Call	Call
150ASA-MH-36	5.00	2.00	36.00	Call	Call	Call
200ASA-MH-12	6.00	3.00	12.00	Call	Call	Call
200ASA-MH-18	6.00	3.00	18.00	Call	Call	Call
200ASA-MH-24	6.00	3.00	24.00	Call	Call	Call
200ASA-MH-36	6.00	3.00	36.00	Call	Call	Call
300ASA-MH-12	7.50	4.00	12.00	Call	Call	Call
300ASA-MH-18	7.50	4.00	18.00	Call	Call	Call
300ASA-MH-24	7.50	4.00	24.00	Call	Call	Call
300ASA-MH-36	7.50	4.00	36.00	Call	Call	Call